

SPU.6

SENSORS (C2 & C4)

SPU.6-C2 & C4 SENSORS

The SPU.6-C2 and the SPU.6-C4 are fully intelligent and addressable sensors



SPU.6-C2



SPU.6-C4

KEY FEATURES

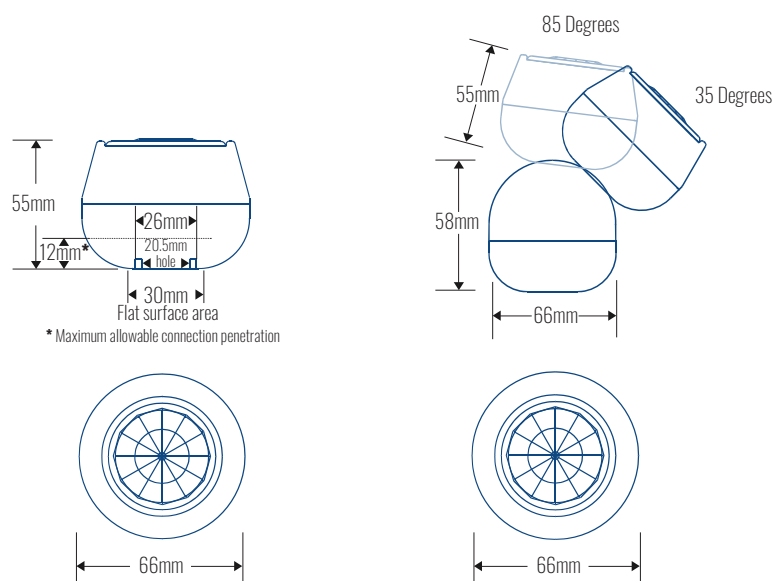
Offers variety of mounting options | Flexible configuration options | Simple LV bus connection to lighting control module | LED status indicator | 360 degree PIR presence detection | Wide range linear photocell | Programmable infra-red receiver

TECHNICAL SPECIFICATION

SUPPLY | Two wire E-Bus or DALI

WEIGHT | 60g

INGRESS PROTECTION | IP20



	SPU.6-C2	SPU.6-C4
Presence detection - 360 degree	✓	✓
High performance photocell 2-2000 lux	✓	✓
Infra-red receiver	✓	✓
Flexible configuration via SPECS manager graphical software	✓	✓
Connects to E-Bus or DALI pair	✓	✓
Each control element (PIR, PC, IR) can be separately configured	✓	✓
Device status feedback	✓	✓
For Besa or conduit surface mounting	✓	✓
For mounting on conduit drop rod or track adapter compatible with Eutrac or Global Track adaptors	✓	✓

CONTACT US

T | 01992 450126

E | SALES@SIMMTRONIC.COM

E | AFTERSALES@SIMMTRONIC.COM

W | WWW.SIMMTRONIC.COM

HQ | LONDON & SOUTH

WATERSIDE

CHARLTON MEAD LANE

HODDESDON, HERTFORDSHIRE

EN11 0QR

MIDLANDS & NORTH

BLOC

17 MARBLE STREET

MANCHESTER

M2 3AW

SIMMTRONIC