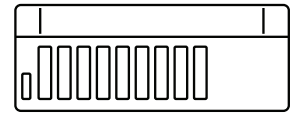


SPV.92

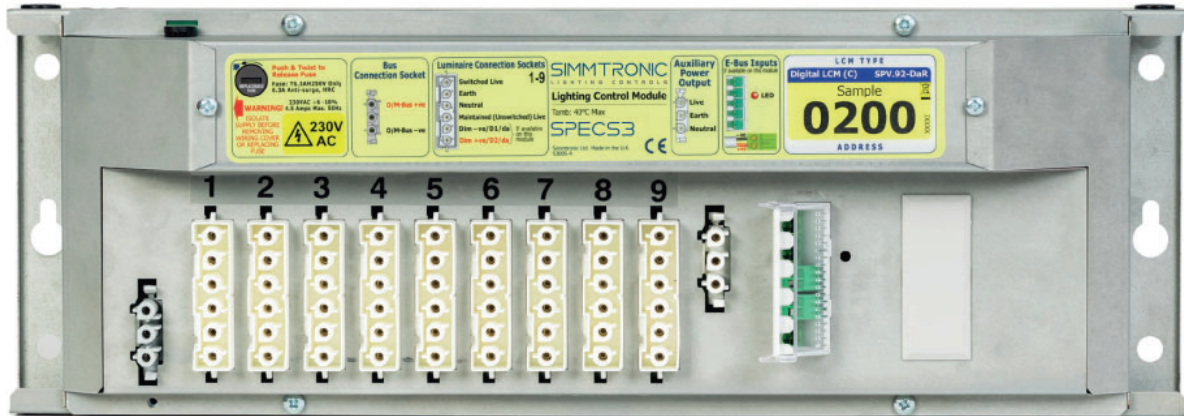
LIGHTING CONTROL MODULES



LIGHTING CONTROL
MODULES

SPV.92 LIGHTING CONTROL MODULES

Highly versatile and fully intelligent, addressable lighting control modules



KEY FEATURES

Ideal for accessible ceiling applications | Flexible configuration options | Simple LV bus connections for input devices | LED status indicator | Externally accessible fuse | Can be pre-commissioned | Digital or Analogue dimming | Easy upgrade paths

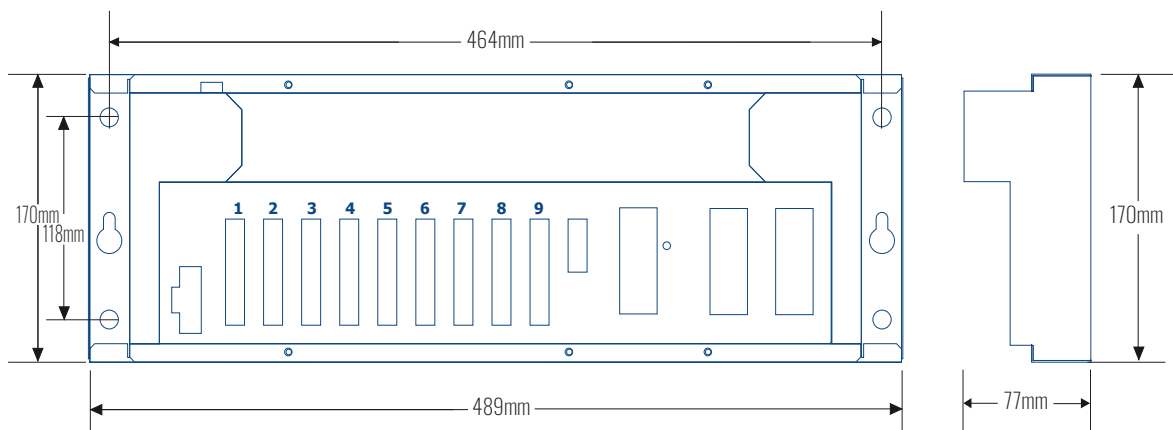
TECHNICAL SPECIFICATION

SUPPLY | 230VAC, 50Hz

MAX LOAD | 1000w

WEIGHT | 2.5Kg

INGRESS PROTECTION | IP20



	SPV.92-Da	SPV.92-DaR	SPV.92-DR	SPV.92-A	SPV.92-SU
1KW Potential Load (6.3A Fuse, 20mm)	✓	✓	✓	✓	✓
Up to 10 input devices	✓	✓	✓	✓	✓
DALI addressable ports	✓	✓			
Supports Automated Emergency Testing	✓	✓			
Supports software configurable Manual Emergency Testing	✓	✓	✓	✓	✓
Individually addressable ports	✓	✓	✓	✓	✓
Supports Load Shedding	✓	✓	✓	✓	✓
Built-in fade processing	✓	✓	✓	✓	✓
Switching Relays on port 8 and 9	✓				
Switching Relays on every port		✓	✓	✓	✓
DSI dimming on every port			✓		
Analogue (1-10v) dimming on every port				✓	
Suitable for use with modular wiring systems	✓	✓	✓	✓	✓

CONTACT US

T | 01992 450126

E | SALES@SIMMTRONIC.COM

E | AFTERSALES@SIMMTRONIC.COM

W | WWW.SIMMTRONIC.COM

HQ | LONDON & SOUTH

WATERSIDE

CHARLTON MEAD LANE

HODDESDON, HERTFORDSHIRE

EN11 0QR

MIDLANDS & NORTH

BLOC

17 MARBLE STREET

MANCHESTER

M2 3AW

SIMMTRONIC