

UNIVERSAL SENSOR WITH  
INTEGRATED EMERGENCY LIGHT:  
SPU.6-C7 RECESSED MOUNT

# UNIVERSAL SENSOR WITH INTEGRATED EMERGENCY LIGHT: SPU.6-C7 RECESSED MOUNT



Advances in LED performance have driven remarkably compact solutions for emergency lighting. This technology requires a ceiling spacing that is closely matched to that required by lighting control zones and so aligns with lighting control sensor spacing.

The Universal Sensor with Integrated Emergency Light product range matches aesthetically with existing Simmtronic sensor products.

**The solution is formed out of a partnership between Simmtronic and Mackwell and comprises:**

Simmtronic SPU.6-C Compact Control Sensor

Single Point Mounting Solution : Designed and Manufactured by Simmtronic.

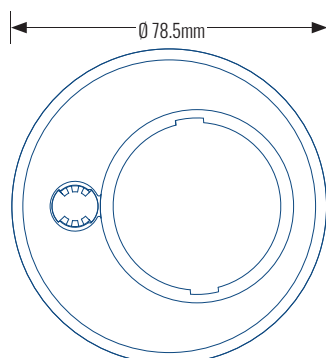
Mackwell XY-Fi : “The world’s smallest emergency LED solution” (See Mackwell Website : <https://www.mackwell.com>, search for Conversion Solutions).

## KEY FEATURES

Combined lighting control system sensor and Non-Maintained emergency light in one housing | Improved ceiling appearance, fewer items | Reduced installation costs | SPU.6-C has Dual Bus connectivity | Emergency control gear and battery are serviceable through recess mount holder cut-out | Modular concept supports 2 stage installation when required

## In Situ Example

### SPU.6-C7: Recessed Mount with Integrated Emergency Light



Recommended hole cut-out size  $\varnothing$  68mm.

Spring clips suitable for solid or sandwich coating tiles, 1-20mm thick.

---

#### CONTACT US

T | 01992 450126

E | SALES@SIMMTRONIC.COM

E | AFTERSALES@SIMMTRONIC.COM

W | WWW.SIMMTRONIC.COM

#### HQ | LONDON & SOUTH

WATERSIDE

CHARLTON MEAD LANE

HODDESDON, HERTFORDSHIRE

EN11 0QR

#### MIDLANDS & NORTH

BLOC

17 MARBLE STREET

MANCHESTER

M2 3AW

---

# SIMMTRONIC